

# sinks

**HIGH QUALITY STAINLESS STEEL COMPARTMENT SINKS;**



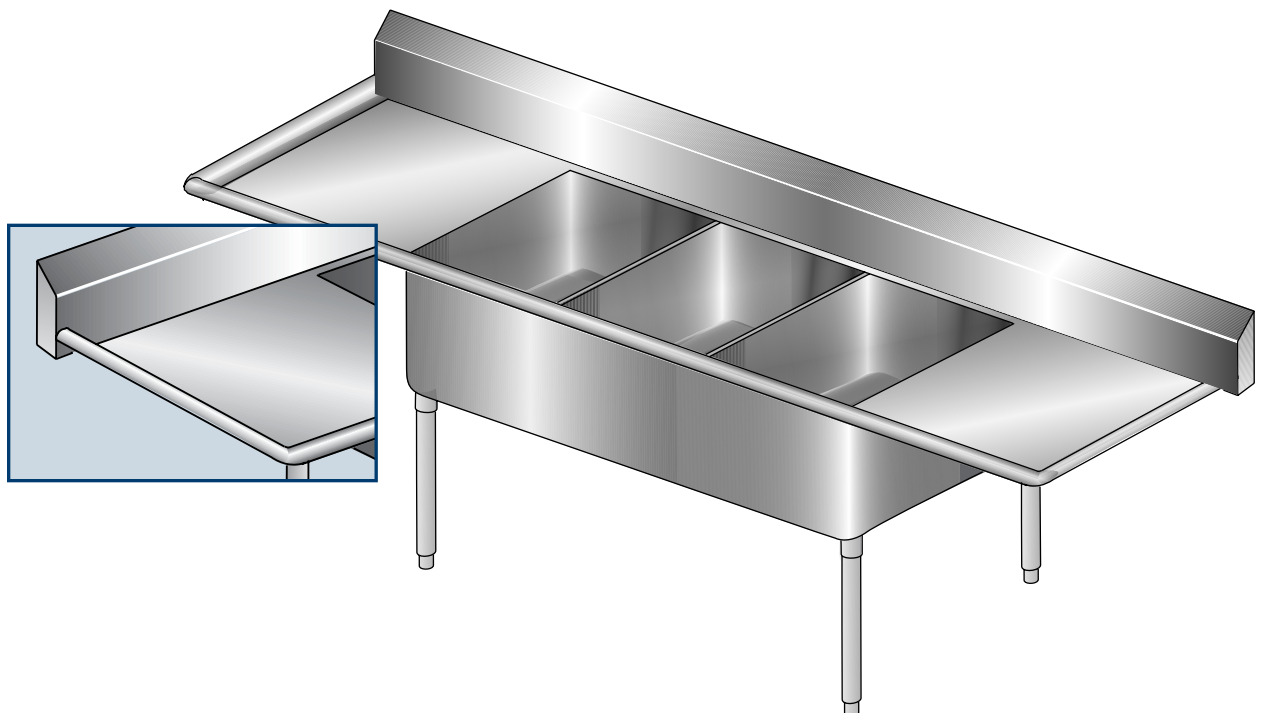
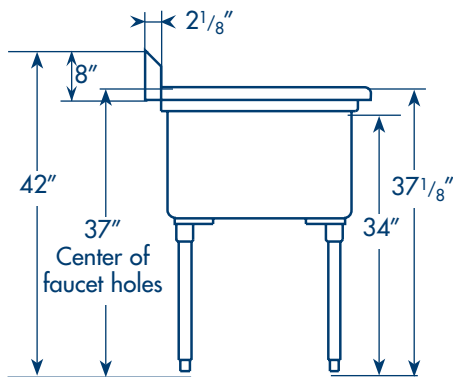
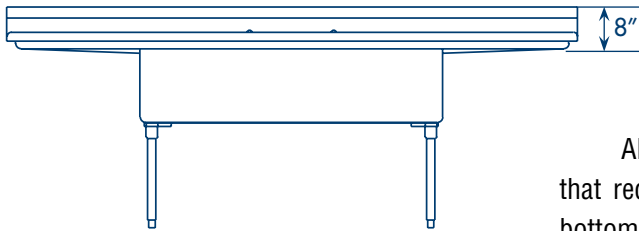
**Versatility, Convenience  
and durability  
Plus- Highly polished  
for a smooth  
clean appearance.**

Our CO series Stainless Steel sinks start with high quality 304 series Stainless Steel for durability. The tops and bowls are made of 16 Ga. Stainless Steel, fully fabricated using die forming, creating a 3/4" radius on all inside corners. The bowl bottom is also die formed, to ensure complete bowl drainage. The integral backsplash has an 8" overall height, with a 2" return at 45 degrees. There is a 1 5/8" rolled rim on the sides and front that is integral to the top and is fully covered.

All of these sinks come standard with an 11" bowl depth that reduces the "reach" needed to get small items from the bottom of the bowl. Other bowl depths are, of course, available upon request. The Stainless Steel legs come with adjustable bullet feet a 33" to 34" height to the top of the bowl.

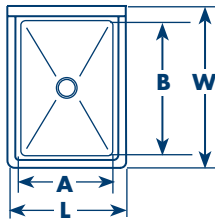
Exposed surfaces are highly polished for a look that is easy to clean. Sinks with 2 or more compartments come with a 1 piece Stainless Steel front skirt that covers the front of the bowls and completes the smooth, clean appearance of these units.

One compartment sinks with 24" or longer drainboards are supplied with an additional set of legs with bracing under the drainboard. Sinks with more than one compartment receive an extra set of legs, with bracing, when the drain-



# sinks

## 1 COMPARTMENT SINKS

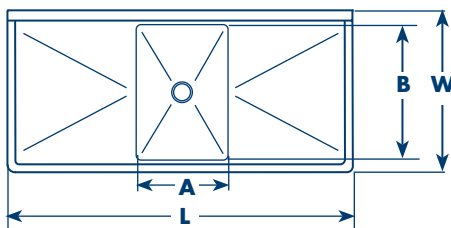
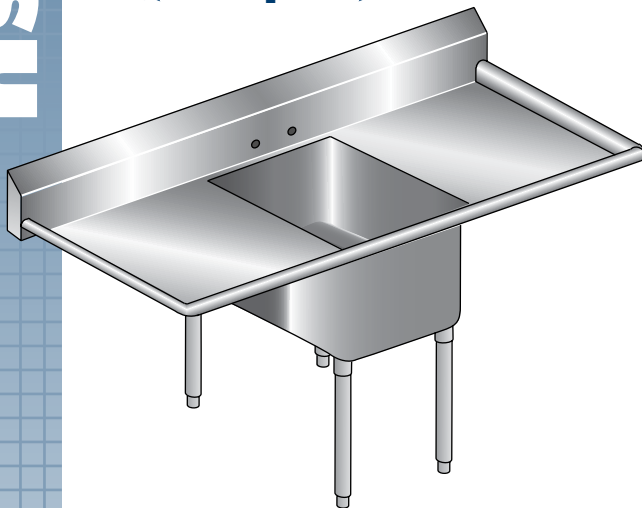
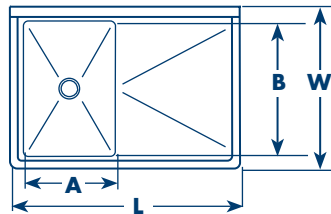


### STANDARD M&E FEATURES

- Sink bowls are fabricated to NSF specifications with 3/4" radius corners.
- 16 gauge construction.
- All stainless steel is type 304.
- 8" high backsplash.
- Die formed bowl bottoms.
- Stainless Steel front skirt.

### ALSO AVAILABLE (specify when ordering)

- 14 gauge construction.
- 14" bowl depth.
- Other sizes and configurations available.



### WITHOUT DRAINBOARDS

Model #	Bowl ("A" X "B")	Size Overall ("L" X "W")	Weight
C01 1618 11	16" X 18"	22" X 24"	81 lbs.
C01 1624 11	16" X 24"	22" X 30"	91 lbs.
C01 1824 11	18" X 24"	24" X 30"	94 lbs.
C01 2424 11	24" X 24"	30" X 30"	104 lbs.

### WITH 1 DRAINBOARD SPECIFY (L OR R)

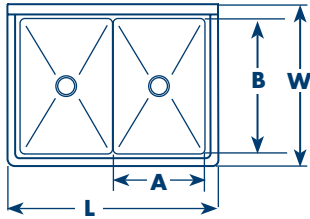
Model #	Bowl ("A" X "B")	Size Overall ("L" X "W")	Weight
<b>18" DRAINBOARD</b>			
C01 1618 11 18(LorR)	16" X 18"	39" X 24"	109 lbs.
C01 1624 11 18(LorR)	16" X 24"	39" X 30"	129 lbs.
C01 1824 11 18(LorR)	18" X 24"	41" X 30"	132 lbs.
C01 2424 11 18(LorR)	24" X 24"	47" X 30"	141 lbs.
<b>24" DRAINBOARD</b>			
C01 1618 11 24(LorR)	16" X 18"	45" X 24"	118 lbs.
C01 1624 11 24(LorR)	16" X 24"	45" X 30"	138 lbs.
C01 1824 11 24(LorR)	18" X 24"	47" X 30"	141 lbs.
C01 2424 11 24(LorR)	24" X 24"	53" X 30"	150 lbs.

### WITH 2 DRAINBOARDS

Model #	Bowl ("A" X "B")	Size Overall ("L" X "W")	Weight
<b>18" DRAINBOARD</b>			
C01 1618 11 18LR	16" X 18"	56" X 24"	138 lbs.
C01 1624 11 18LR	16" X 24"	56" X 30"	167 lbs.
C01 1824 11 18LR	18" X 24"	58" X 30"	170 lbs.
C01 2424 11 18LR	24" X 24"	64" X 30"	179 lbs.
<b>24" DRAINBOARD</b>			
C01 1618 11 24LR	24" X 24"	68" X 24"	166 lbs.
C01 1624 11 24LR	16" X 24"	68" X 30"	185 lbs.
C01 1824 11 24LR	18" X 24"	70" X 30"	188 lbs.
C01 2424 11 24LR	24" X 24"	76" X 30"	197 lbs.

# sinks

## 2 COMPARTMENT SINKS

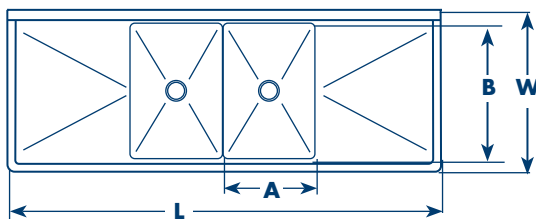
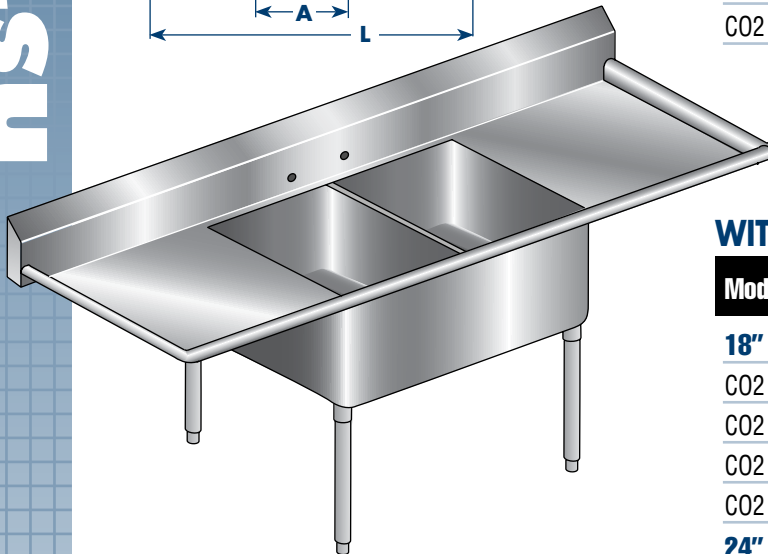
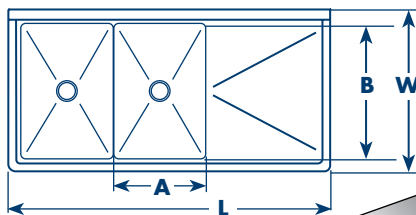


### STANDARD M&E FEATURES

- Sink bowls are fabricated to NSF specifications with 3/4" radius corners.
- 16 gauge construction.
- All stainless steel is type 304.
- 8" high backsplash.
- Die formed bowl bottoms.
- Stainless Steel front skirt.

### ALSO AVAILABLE (specify when ordering)

- 14 gauge construction.
- 14" bowl depth.
- Other sizes and configurations available.



### WITHOUT DRAINBOARDS

Model #	Bowl ("A" X "B")	Size Overall ("L" X "W")	Weight
C02 3218 11	16" X 18"	38" X 24"	116lbs.
C02 3224 11	16" X 24"	38" X 30"	126 lbs.
C02 3624 11	18" X 24"	42" X 30"	133 lbs.
C02 4824 11	24" X 24"	54" X 30"	155 lbs.

### WITH 1 DRAINBOARD SPECIFY (L OR R)

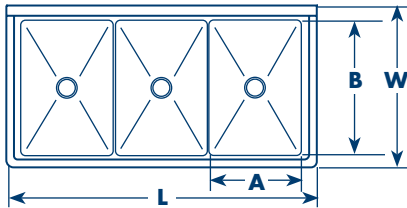
Model #	Bowl ("A" X "B")	Size Overall ("L" X "W")	Weight
<b>18" DRAINBOARD</b>			
C02 3218 11 18(LorR)	16" X 18"	55" X 24"	145 lbs.
C02 3224 11 18(LorR)	16" X 24"	55" X 30"	163 lbs.
C02 3624 11 18(LorR)	18" X 24"	59" X 30"	171 lbs.
C02 4824 11 18(LorR)	24" X 24"	71" X 30"	192 lbs.
<b>24" DRAINBOARD</b>			
C02 3218 11 24(LorR)	16" X 18"	61" X 24"	153 lbs.
C02 3224 11 24(LorR)	16" X 24"	61" X 30"	172 lbs.
C02 3624 11 24(LorR)	18" X 24"	65" X 30"	180 lbs.
C02 4824 11 24(LorR)	24" X 24"	77" X 30"	202 lbs.

### WITH 2 DRAINBOARDS

Model #	Bowl ("A" X "B")	Size Overall ("L" X "W")	Weight
<b>18" DRAINBOARD</b>			
C02 3218 11 18LR	16" X 18"	73" X 24"	174 lbs.
C02 3224 11 18LR	16" X 24"	73" X 30"	202 lbs.
C02 3624 11 18LR	18" X 24"	77" X 30"	209 lbs.
C02 4824 11 18LR	24" X 24"	89" X 30"	231 lbs.
<b>24" DRAINBOARD</b>			
C02 3218 11 24LR	16" X 18"	85" X 24"	191 lbs.
C02 3224 11 24LR	16" X 24"	85" X 30"	220 lbs.
C02 3624 11 24LR	18" X 24"	89" X 30"	227 lbs.
C02 4824 11 24LR	24" X 24"	101" X 30"	249 lbs.

# sinks

## 3 COMPARTMENT SINKS

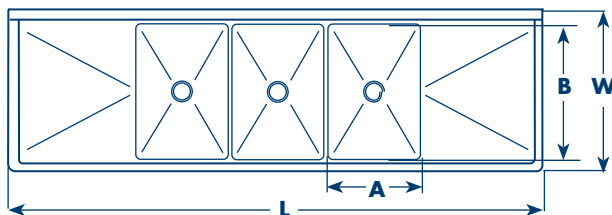
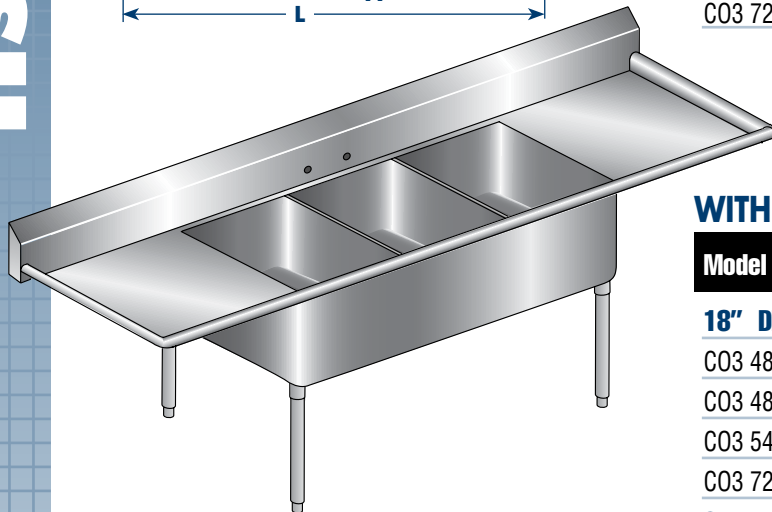
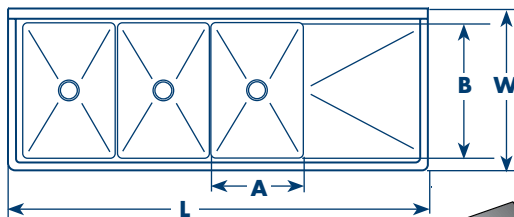


### STANDARD M&E FEATURES

- Sink bowls are fabricated to NSF specifications with 3/4" radius corners.
- 16 gauge construction.
- All stainless steel is type 304.
- 8" high backsplash.
- Die formed bowl bottoms.
- Stainless Steel front skirt.

### ALSO AVAILABLE (specify when ordering)

- 14 gauge construction.
- 14" bowl depth.
- Other sizes and configurations available.



### WITHOUT DRAINBOARDS

Model #	Bowl ("A" X "B")	Size Overall ("L" X "W")	Weight
C03 4818 11	16" X 18"	55" X 24"	141 lbs.
C03 4824 11	16" X 24"	55" X 30"	159 lbs.
C03 5424 11	18" X 24"	61" X 30"	174 lbs.
C03 7224 11	24" X 24"	79" X 30"	211 lbs.

### WITH 1 DRAINBOARD SPECIFY (L OR R)

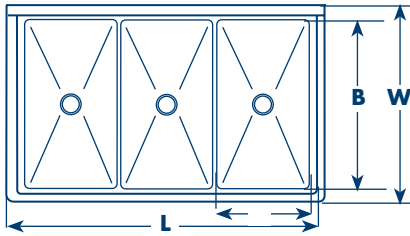
Model #	Bowl ("A" X "B")	Size Overall ("L" X "W")	Weight
<b>18" DRAINBOARD</b>			
C03 4818 11 18(LorR)	16" X 18"	72" X 24"	170 lbs.
C03 4824 11 18(LorR)	16" X 24"	72" X 30"	197 lbs.
C03 5424 11 18(LorR)	18" X 24"	78" X 30"	212 lbs.
C03 7224 11 18(LorR)	24" X 24"	96" X 30"	248 lbs.
<b>24" DRAINBOARD</b>			
C03 4818 11 24(LorR)	16" X 18"	78" X 24"	178 lbs.
C03 4824 11 24(LorR)	16" X 24"	78" X 30"	206 lbs.
C03 5424 11 24(LorR)	18" X 24"	84" X 30"	221 lbs.
C03 7224 11 24(LorR)	24" X 24"	102" X 30"	258 lbs.

### WITH 2 DRAINBOARDS

Model #	Bowl ("A" X "B")	Size Overall ("L" X "W")	Weight
<b>18" DRAINBOARD</b>			
C03 4818 11 18LR	16" X 18"	89" X 24"	198 lbs.
C03 4824 11 18LR	16" X 24"	89" X 30"	235 lbs.
C03 5424 11 18LR	18" X 24"	95" X 30"	249 lbs.
C03 7224 11 18LR	24" X 24"	113" X 30"	286 lbs.
<b>24" DRAINBOARD</b>			
C03 4818 11 24LR	16" X 18"	101" X 24"	215 lbs.
C03 4824 11 24LR	16" X 24"	101" X 30"	253 lbs.
C03 5424 11 24LR	18" X 24"	107" X 30"	268 lbs.
C03 7224 11 24LR	24" X 24"	125" X 30"	304 lbs.

# sinks

## 3 COMPARTMENT PLATTER SINKS

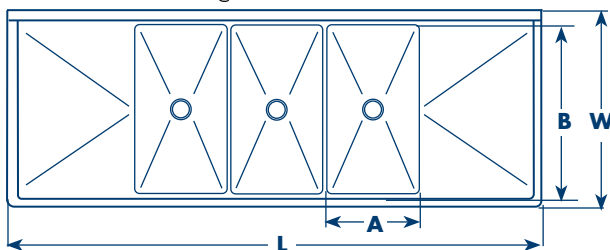
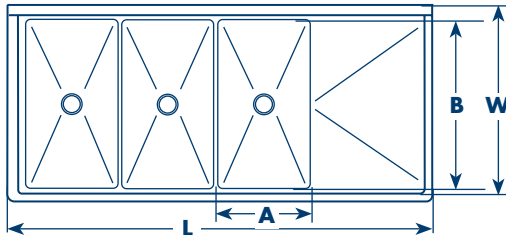


### STANDARD M&E FEATURES

- Sink bowls are fabricated to NSF specifications with 3/4" radius corners.
- 16 gauge construction.
- All stainless steel is type 304.
- 8" high backsplash.
- Die formed bowl bottoms.
- Stainless Steel front skirt.

### ALSO AVAILABLE (specify when ordering)

- 14 gauge construction.
- 14" bowl depth.
- Other sizes and configurations available.



### WITHOUT DRAINBOARDS

Model #	Bowl ("A" X "B")	Size Overall ("L" X "W")	Weight
C03 4231 11	14" X 31"	48" X 37"	191 lbs.
C03 5728 11	19" X 28"	63" X 34"	209 lbs.
C03 5731 11	19" X 31"	63" X 37"	234 lbs.
C03 6030 11	20" X 30"	66" X 36"	230 lbs.

### WITH 1 DRAINBOARD SPECIFY (L OR R)

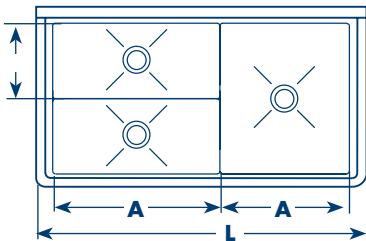
Model #	Bowl ("A" X "B")	Size Overall ("L" X "W")	Weight
<b>18" DRAINBOARD</b>			
C03 4231 11 18(LorR)	14" X 31"	65" X 37"	241 lbs.
C03 5728 11 18(LorR)	19" X 28"	80" X 34"	263 lbs.
C03 5731 11 18(LorR)	19" X 31"	80" X 37"	285 lbs.
C03 6030 11 18(LorR)	20" X 30"	83" X 36"	280 lbs.
<b>24" DRAINBOARD</b>			
C03 4231 11 24(LorR)	14" X 31"	71" X 37"	262 lbs.
C03 5728 11 24(LorR)	19" X 28"	86" X 34"	276 lbs.
C03 5731 11 24(LorR)	19" X 31"	86" X 37"	295 lbs.
C03 6030 11 24(LorR)	20" X 30"	89" X 36"	290 lbs.

### WITH 2 DRAINBOARDS

Model #	Bowl ("A" X "B")	Size Overall ("L" X "W")	Weight
<b>18" DRAINBOARD</b>			
C03 4231 11 18LR	14" X 31"	82" X 37"	292 lbs.
C03 5728 11 18LR	19" X 28"	97" X 34"	316 lbs.
C03 5731 11 18LR	19" X 31"	97" X 37"	335 lbs.
C03 6030 11 18LR	20" X 30"	100" X 36"	334 lbs.
<b>24" DRAINBOARD</b>			
C03 4231 11 24LR	14" X 31"	94" X 37"	334 lbs.
C03 5728 11 24LR	19" X 28"	109" X 34"	343 lbs.
C03 5731 11 24LR	19" X 31"	109" X 37"	377 lbs.
C03 6030 11 24LR	20" X 30"	112" X 36"	372 lbs.

# sinks

## 3 COMPARTMENT MEAT PLATTER SINKS

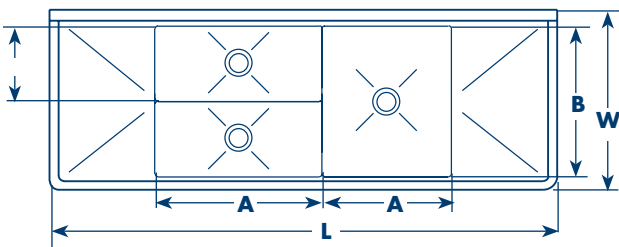
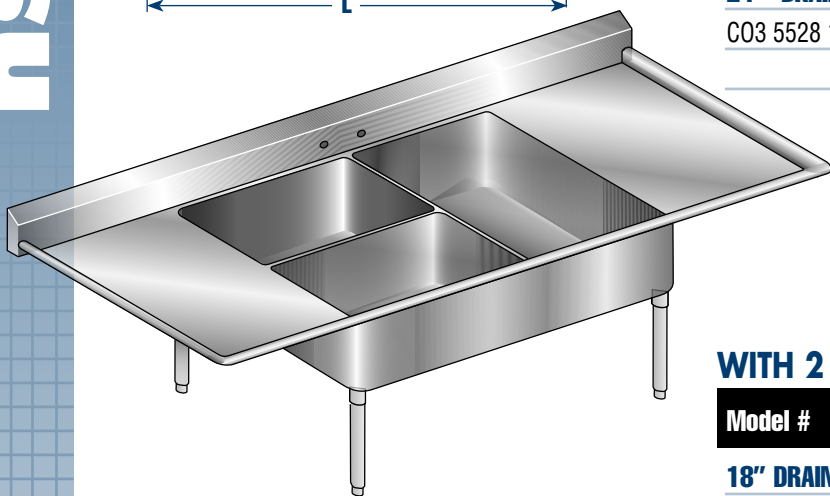
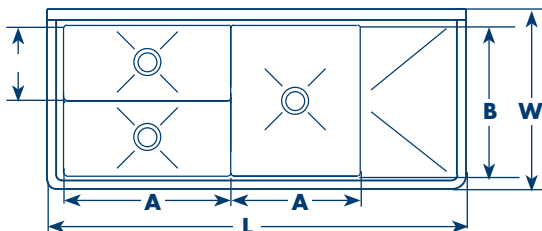


### STANDARD M&E FEATURES

- Sink bowls are fabricated to NSF specifications with 3/4" radius corners.
- 16 gauge construction.
- All stainless steel is type 304.
- 8" high backsplash.
- Die formed bowl bottoms.
- Stainless Steel front skirt.

### ALSO AVAILABLE (specify when ordering)

- 14 gauge construction.
- 14" bowl depth.
- Other sizes and configurations available.



### WITHOUT DRAINBOARDS

Model #	Bowl ("A" X "B")	Size Overall ("L" X "W")	Weight
C03 5528 11 MP	2@31"X14" 1@24"X28"	61" X 34"	197 lbs.

### WITH 1 DRAINBOARD SPECIFY (L OR R)

Model #	Bowl ("A" X "B")	Size Overall ("L" X "W")	Weight
<b>18" DRAINBOARD</b>			
C03 5528 11 MP(LorR)	2@31"X14" 1@24"X28"	78" X 34"	251 lbs.
<b>24" DRAINBOARD</b>			
C03 5528 11 MP(LorR)	2@31"X14" 1@24"X28"	84" X 34"	264 lbs.

### WITH 2 DRAINBOARDS

Model #	Bowl ("A" X "B")	Size Overall ("L" X "W")	Weight
<b>18" DRAINBOARD</b>			
C03 5528 11 MPLR	2@31"X14" 1@24"X28"	95" X 34"	304 lbs.
<b>24" DRAINBOARD</b>			
C03 5528 11 MPLR	2@31"X14" 1@24"X28"	107" X 34"	331 lbs.

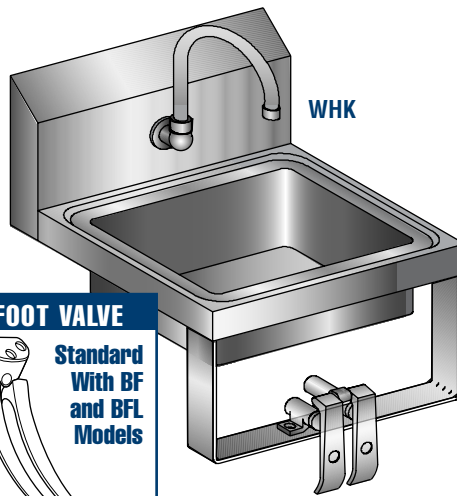
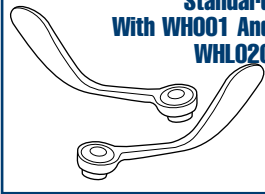
# sinks

## WALL MOUNT HANDWASHING SINKS



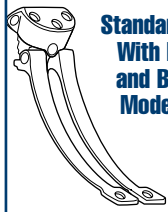
### SURGICAL WRIST HANDLES

Standard  
With WH001 And  
WHL020



### FOOT VALVE

Standard  
With BF  
and BFL  
Models



### ALSO AVAILABLE (specify when ordering)

- Sidesplashes

### WALL MOUNT, HAND & WRIST OPERATED

Model #	Bowl ("A" X "B")	Size Overall ("L" X "W")	Weight
<b>HAND OPERATED</b>			
WH	14"X10"X5"	17"X15"X13"	12lbs.
WHL	16"X16"X10"	20"X22"X27"	25lbs.
<b>WRIST OPERATED</b>			
WH001	14"X10"X5"	17"X15"X13"	13lbs.

### STANDARD M&E FEATURES

- Sinks supplied with gooseneck faucet
- Hand operated sinks supplied with single blade handles.
- Wrist operated sinks supplied with surgical wrist operated handles.
- Sink bowls are fabricated to NSF specifications with 3/4" minimum radius corners.
- All stainless steel is type 304.
- 8" high backsplash.
- Die formed bowl bottoms.

### WALL MOUNT, KNEE & FOOT OPERATED

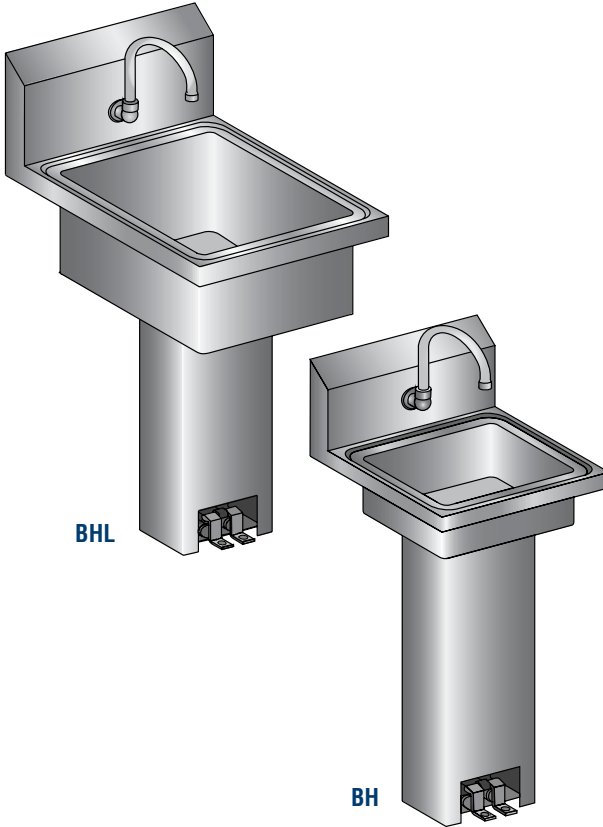
Model #	Bowl ("A" X "B")	Size Overall ("L" X "W")	Weight
<b>KNEE OPERATED</b>			
WHK	14"X10"X5"	17"X15"X13"	12lbs.
WHKL	16"X16"X10"	20"X22"X27"	25lbs.
<b>FOOT OPERATED</b>			
BF	14"X10"X5"	17"X15"X13"	13lbs.
BFL	16"X16"X10"	20"X22"X27"	26lbs.

### STANDARD M&E FEATURES

- Sinks supplied with gooseneck nozzle
- Knee activated sinks supplied with knee valves and valve bracket.
- Foot activated sinks supplied with T&S wall mount foot valve.
- Sink bowls are fabricated to NSF specifications with 3/4" minimum radius corners.
- All stainless steel is type 304.
- 8" high backsplash.
- Die formed bowl bottoms.

# sinks

## BASE MOUNT HANDWASHING SINKS



### BASE MOUNT, FOOT PEDAL OPERATED

Model #	Bowl ("A" X "B")	Size Overall ("L" X "W")	Weight
<b>OPERATED</b>			
BH	14"X10"X5"	17"X15"X13"	12lbs.

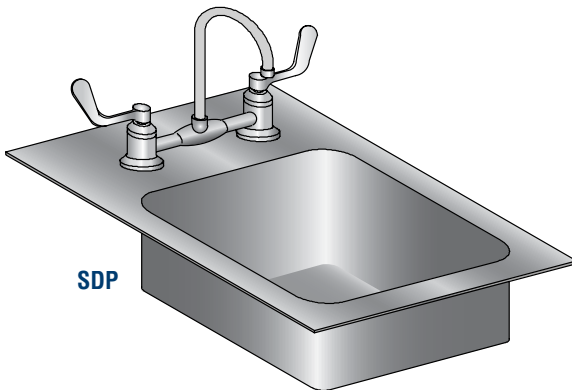
### STANDARD M&E FEATURES

- Sinks supplied with foot activated gooseneck nozzle.
- Sink bowls are fabricated to NSF specifications with 3/4" minimum radius corners.
- All stainless steel is type 304.
- 8" high backsplash.
- Die formed bowl bottoms.

### ALSO AVAILABLE (specify when ordering)

- Side Splashes.

## DROP-IN HANDWASHING SINK



### DROP-IN BOWLS

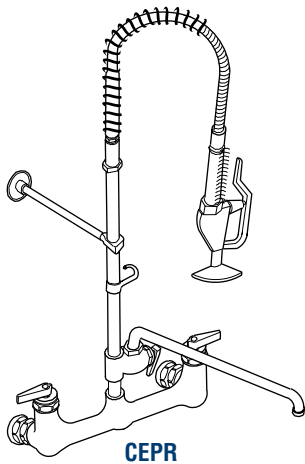
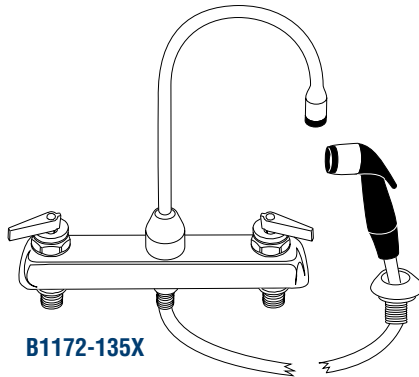
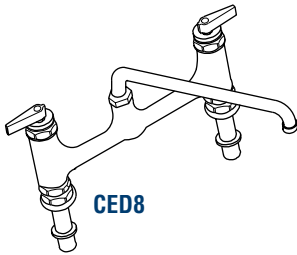
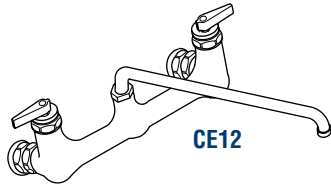
Model #	Bowl ("A" X "B")	Cut-out Size ("L" X "W")	Weight
SDP	10"X11"X6"	11"X17"	5lbs

### STANDARD M&E FEATURES

- Sinks supplied with wrist operated gooseneck faucet.
- Sink bowls are fabricated to NSF specifications with 3/4" minimum radius corners.
- All stainless steel is type 304.
- Die formed bowl bottoms.

# sinks

## SINK ACCESSORIES



### SPLASH MOUNT FAUCETS, 8" O.C.

Model #	Description	Weight
---------	-------------	--------

#### COMPONENT "ENCORE" BRAND

CE8	Faucet with 8" Nozzle	7 lbs.
CE12	Faucet with 12" Nozzle	8 lbs.
CE14	Faucet with 14" Nozzle	8 lbs.
CE18DJ	Faucet with 18" Double Jointed nozzle	9 lbs.

#### T&S BRAND

TS8	Faucet with 8" Nozzle	7 lbs.
TS12	Faucet with 12" Nozzle	8 lbs.
TS14	Faucet with 14" Nozzle	8 lbs.
TS18DJ	Faucet with 18" Double Jointed nozzle	9 lbs.

### DECK MOUNT FAUCETS, 8" O.C.

Model #	Description	Weight
---------	-------------	--------

#### COMPONENT "ENCORE" BRAND

CED-GN	Faucet with 8-1/2" Swivel Goose Neck	7 lbs.
CED8	Faucet with 8" Nozzle	7 lbs.
CED12	Faucet with 12" Nozzle	8 lbs.
CED14	Faucet with 14" Nozzle	8 lbs.
CED18DJ	Faucet with 18" Double Jointed Nozzle	9 lbs.

#### T&S BRAND

B1172-135X	Deck Mount Faucet w/Swivel Gooseneck Nozzle and 4" Spray Hose	6 lbs.
------------	---	--------

### SPLASH MOUNT PRE-RINSE UNITS, 8" O.C., WITH ADD-ON FAUCET

Model #	Description	Weight
---------	-------------	--------

#### COMPONENT "ENCORE" BRAND

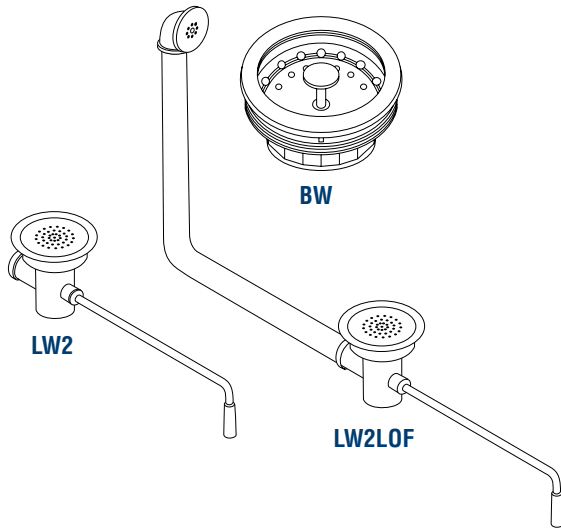
CEPR	Pre-rinse Unit with 14" Add-on	21 lbs.
CEPR8	Pre-rinse Unit with 8" Add-on	21 lbs.

#### T&S BRAND

TSPR	Pre-rinse Unit with 14" Add-on	21 lbs.
TSPR8	Pre-rinse Unit with 8" Add-on	21 lbs.

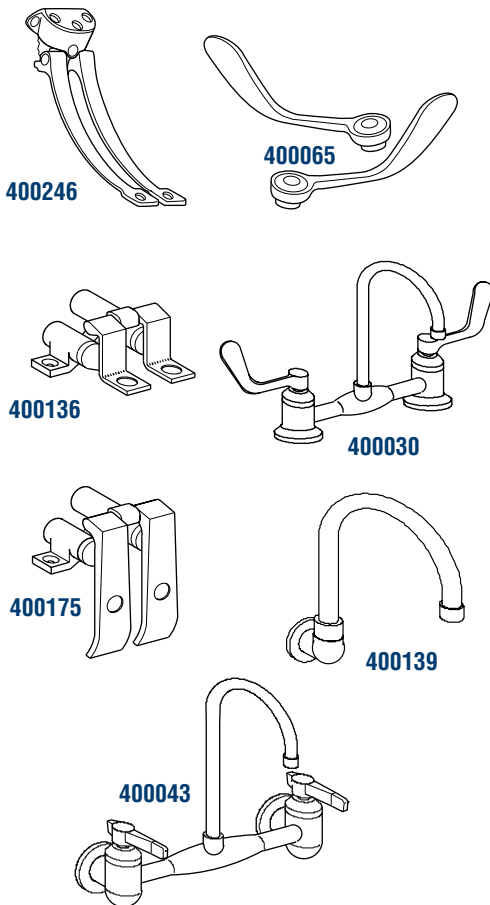
# sinks

## SINK ACCESSORIES



### WASTE OUTLETS

Model #	Description	Weight
<b>LEVER WASTES</b>		
LW2	2" Lever Waste	4 lbs.
LW2RB	LW2 with Removable Basket	4 lbs.
LW15	1-1/2" Lever Waste	4 lbs.
LW2LOF	2" Lever Waste with Rear Overflow	5 lbs.
<b>BASKET WASTE</b>		
BW	Basket Waste (For 3-1/2" to 4" openings)	1 lbs.



### HAND SINK ACCESSORIES

Model #	Description	Weight
400175	Knee Valve	4 lbs.
400136	Foot Valve, Base Mount	5 lbs.
400246	Foot Valve, Wall Mount	6 lbs.
400030	Deck Mount Faucet w/ Gooseneck Nozzle, 4" O.C. (fits Model SDP)	6 lbs.
400139	Splash Mount Gooseneck Nozzle (for Knee or Foot Operated Hand Sinks)	2 lbs.
400043	Splash Mount Faucet, 8" O.C., with Swivel Gooseneck Nozzle	6 lbs.
400065	Surgical Wrist Handles	1 lbs.
400104	Basket Waste (For 1 1/2" to 2" Openings)	1 lbs.